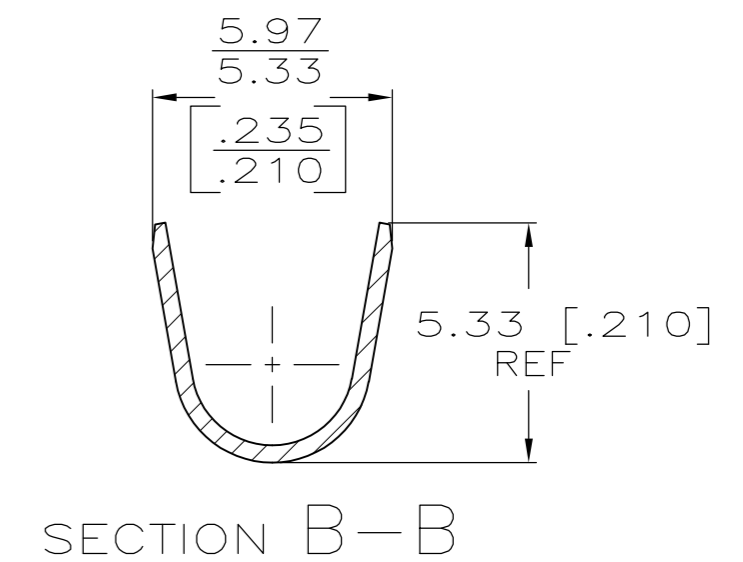
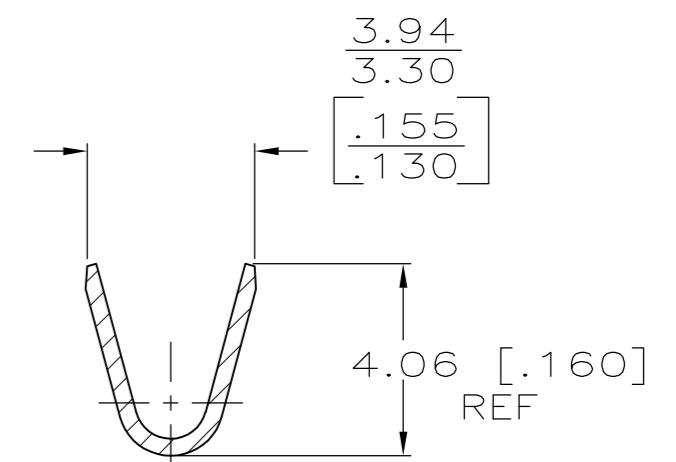
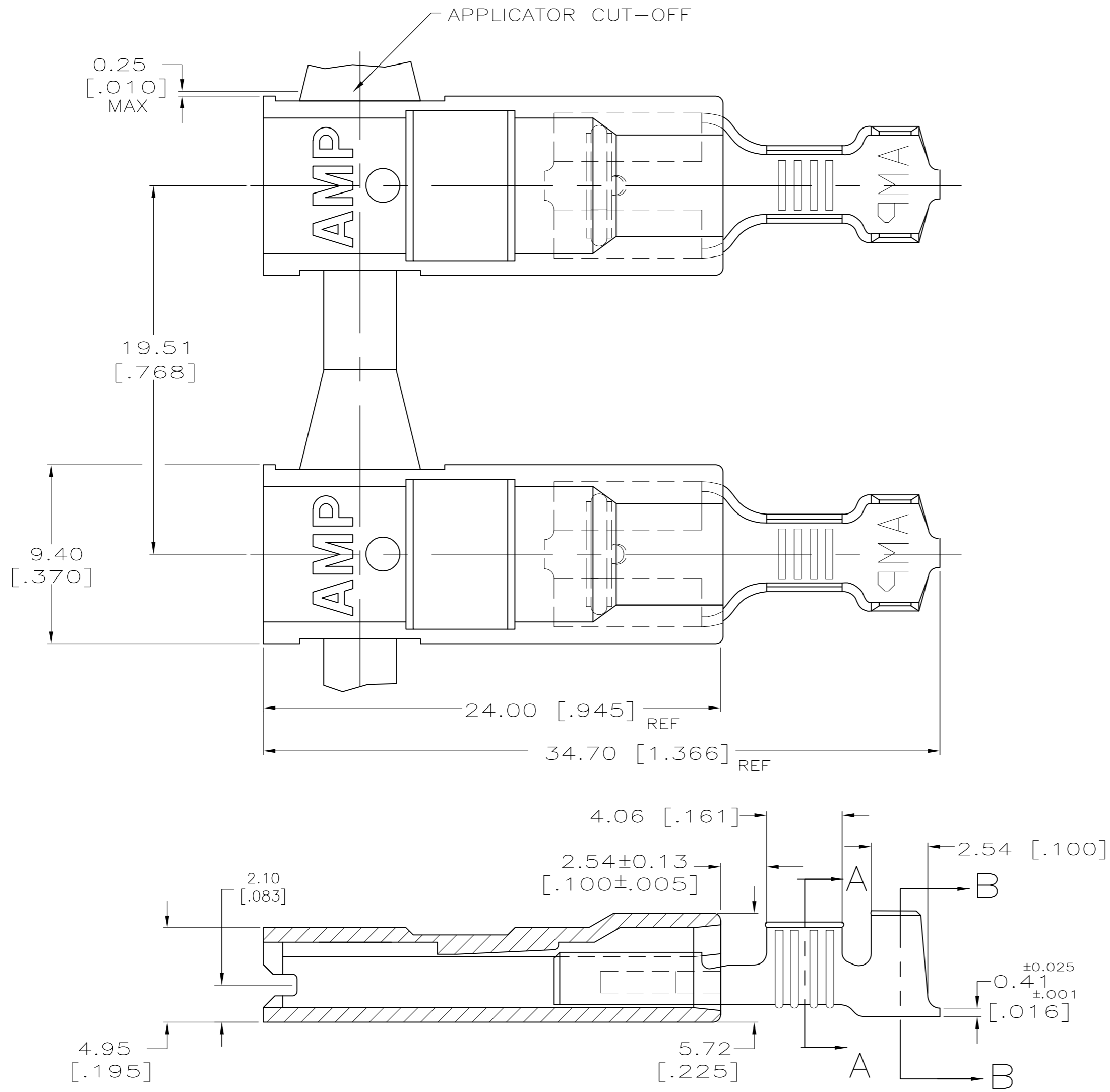


THIS DRAWING IS UNPUBLISHED. RELEASED FOR PUBLICATION  
 © COPYRIGHT - By - ALL RIGHTS RESERVED.

LOC	DIST	REVISIONS			
P	LTR	DESCRIPTION	DATE	DWN	APVD
AF	50	A2	RELEASED PER ECO-14-003037	03MAR14	JR RL

- 1 BUDGET LOW-INSERTION FASTON TERMINALS, BASE P/N 1742971, ARE USED IN THIS PRODUCT.
- 2 WIRE SIZE 0.8-2.0mm [18-14] AWG
- 3 INSULATION RANGE IS 2.79-4.32[.110-.170] DIA.
- 4 MATING TAB THK IS 0.813±0.025[.032±.001].
- 5 OFFERED FOR CONSIDERATION IN APPLICATIONS REQUIRING "NON-DRIP" HOUSING MATERIAL.



TIN PLATE	VO, NYLON 66, NATURAL (WHITE)	1969529-2
PLAIN		1969529-1
TERMINAL	HOUSING	PART NO.

THIS DRAWING IS A CONTROLLED DOCUMENT.		DWN JR RUTH 08MAY12	TE Connectivity	
DIMENSIONS: mm [INCHES]		CHK RAY LANDON 08MAY12	NAME RAY LANDON 08MAY12	
TOLERANCES UNLESS OTHERWISE SPECIFIED:		APVD RAY LANDON 08MAY12	PRODUCT SPEC 108-1285	
0 PLC ± -		APPLICATION SPEC 114-2124	SIZE A2	CAGE CODE 00779
1 PLC ± -		WEIGHT -	DRAWING NO C=1969529	RESTRICTED TO -
2 PLC ± -		CUSTOMER DRAWING	SCALE 5:1	SHEET 1 of 1
3 PLC ± 0.25 [.010]			REV A2	
4 PLC ± -				
ANGLES ± -				
FINISH SEE TABLE				

1969529